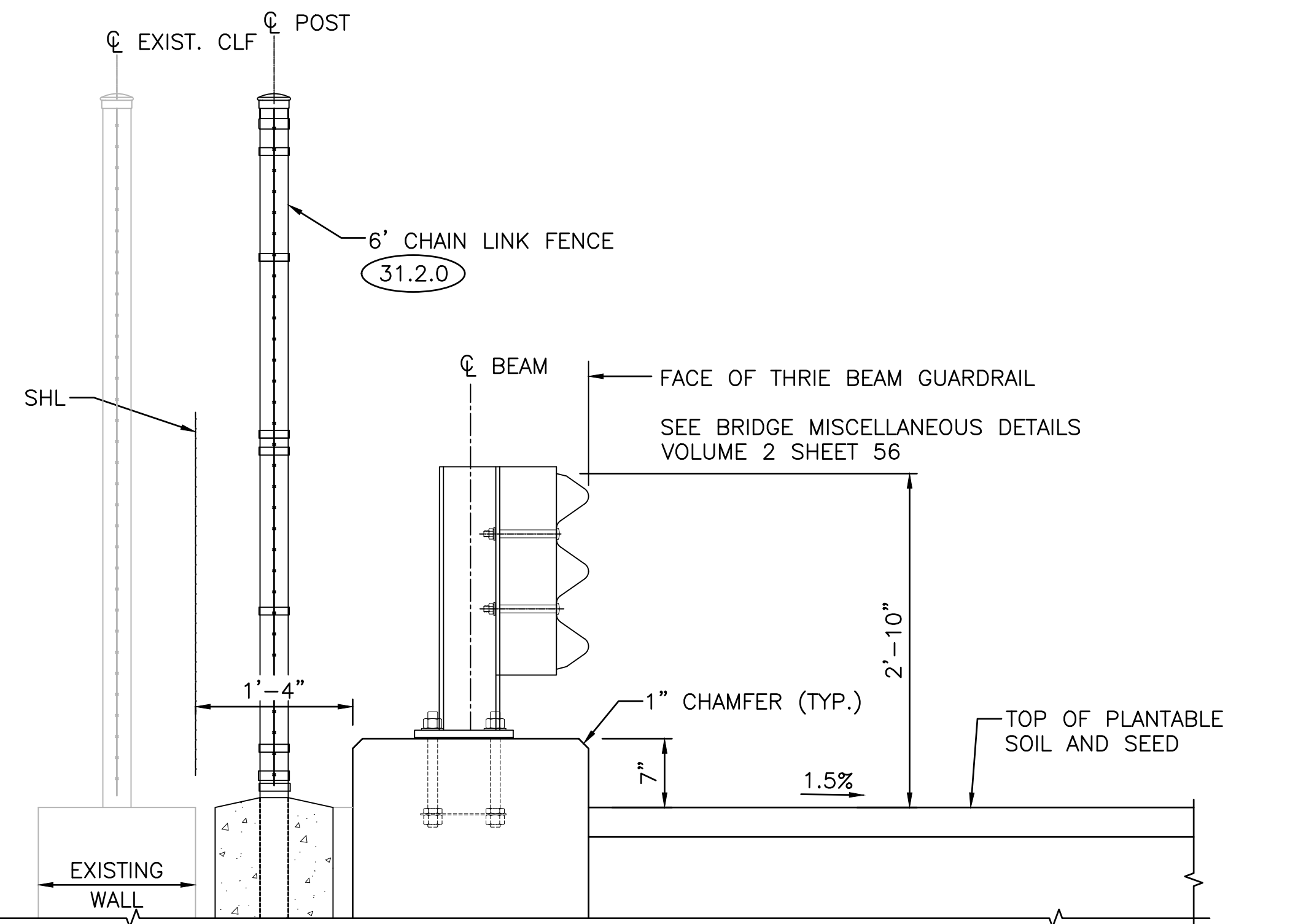
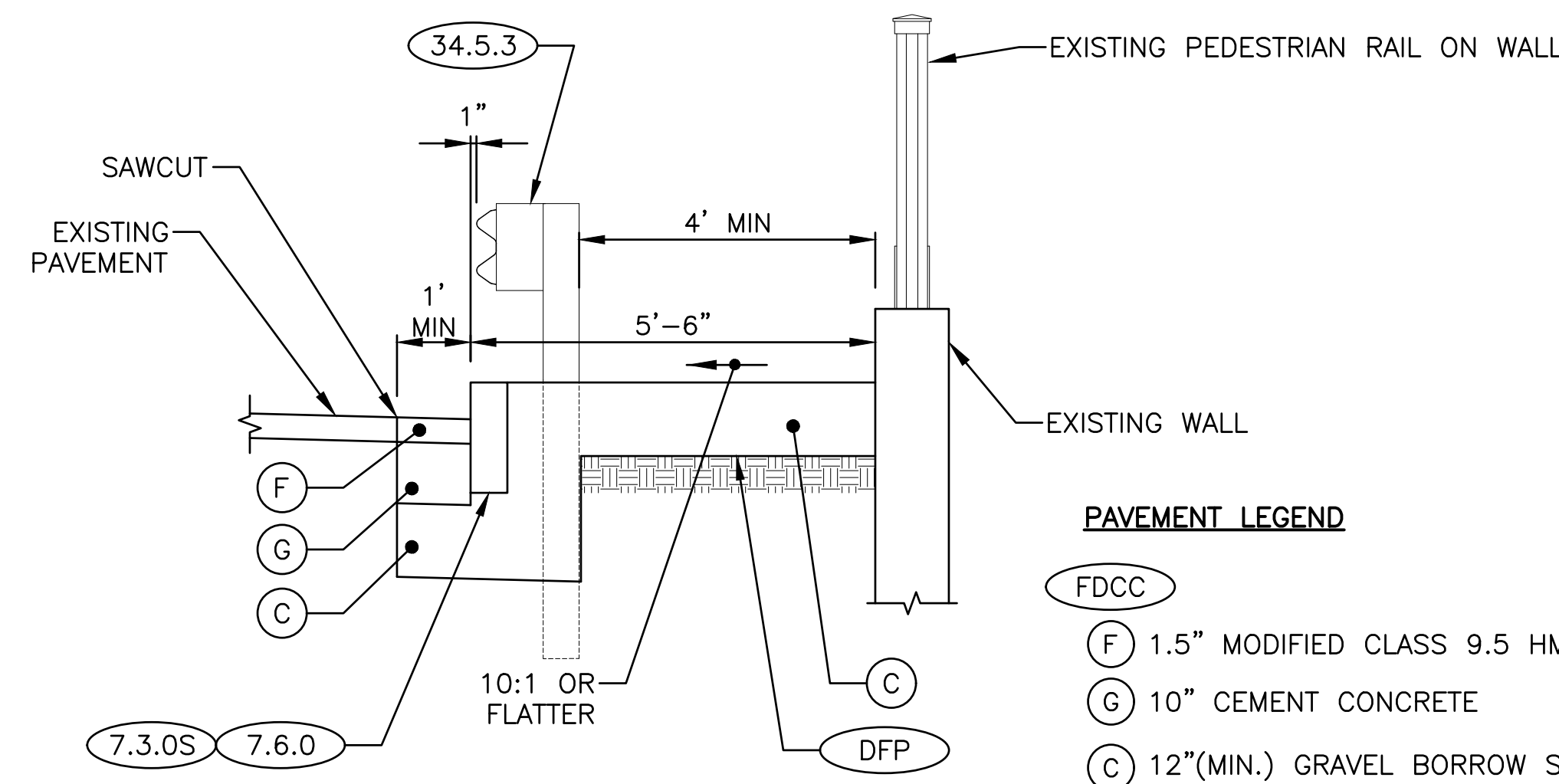


NOTE:
INSTALL SPACERS AT APPROXIMATELY 6' APART.

GAS IN EXISTING ROADWAY PATCH TRENCH SECTION
NOT TO SCALE



NOTE:
SEE BRIDGE PLANS FOR ADDITIONAL DETAILS OF THE THRIE BEAM GUARDRAIL AND FOUNDATION SUPPORT. ALL STRUCTURAL COMPONENTS AND FILL FOR THIS DETAIL ARE BRIDGE ITEMS EXCEPT AS NOTED.



NOTE
MAINTAIN AND PROTECT PEDESTRIAN RAIL

GENERAL NOTES
ITEM CODE 906.9901 - JOB SPECIFIC LEGEND 7.8.0 - 3'-0" GRANITE TRANSITION CURB AT BRIDGE SHALL BE SIMILAR TO STANDARD DETAIL 7.3.1, WITH THE EXCEPTION THAT THE CURB DEPTH WILL BE 1'-6" AND THE CURB REVEAL WILL SLOPE FROM 7" TO 6".
ITEM CODE 901.9901 - JOB SPECIFIC LEGEND 34.6.4 - STEEL THRIE BEAM GUARDRAIL SINGLE FACE BENT RADIUS SHALL BE SIMILAR TO STANDARD DETAIL 34.5.3.1 - STEEL THRIE BEAM GUARDRAIL SINGLE FACE, WITH THE EXCEPTION THAT THE BEAM RADIUS SHALL BE SHOP BENT TO THE SMALL RADIUS REQUIRED. NO FIELD BENDING IS ALLOWED.
ITEM CODE 901.0178 - JOB SPECIFIC LEGEND 34.5.5 - TERMINAL END SECTION OF THRIE BEAM

REVISIONS			RHODE ISLAND DEPARTMENT OF TRANSPORTATION
NO.	DATE	BY	
			SUPERSTRUCTURE REPLACEMENT RESERVOIR AVE. RR BRIDGE NO. 327 PROVIDENCE, RHODE ISLAND
			GENERAL DETAILS
			CHECKED BY PWS DATE 11/23/2020 SCALE AS NOTED

Louis Berger
166 VALLEY STREET, BUILDING 5
PROVIDENCE, RI 02909
TEL 401 521 5980
WWW.LOUISBERGER.COM