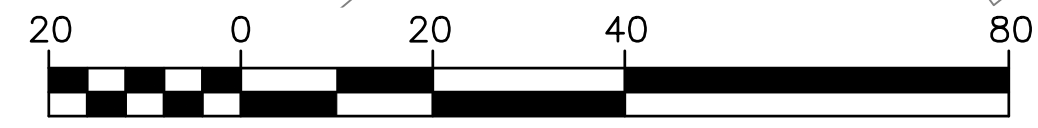
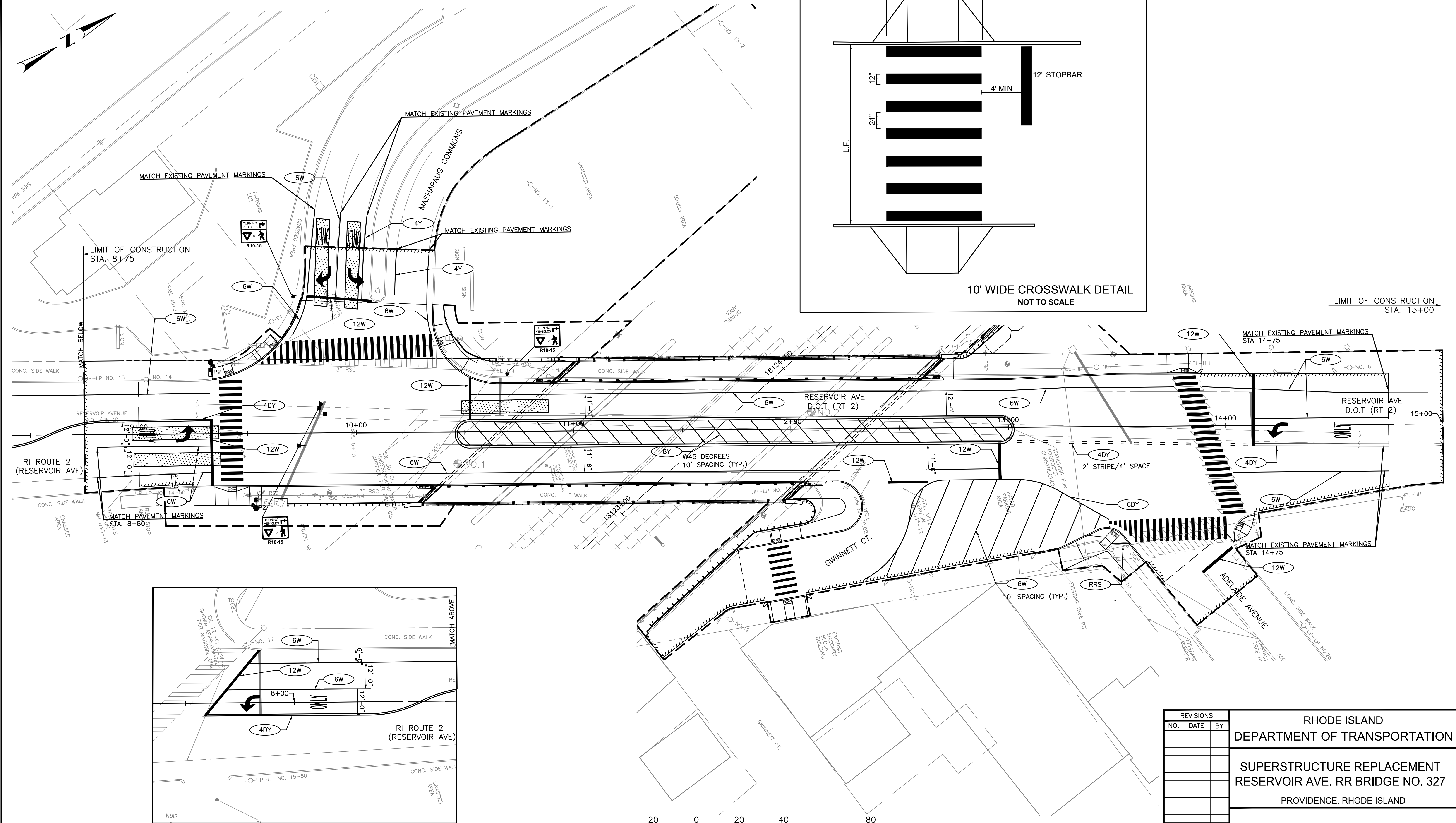
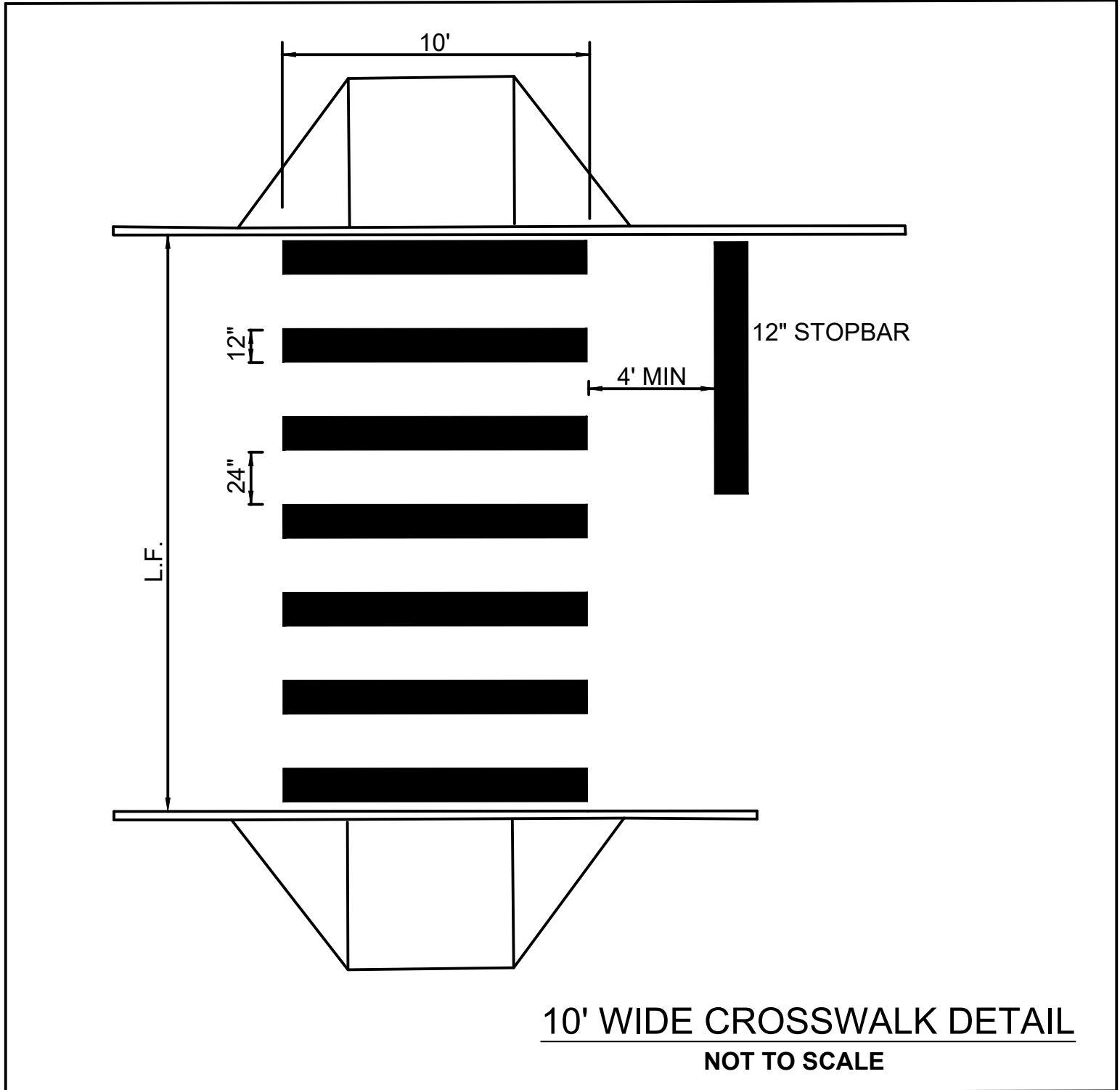
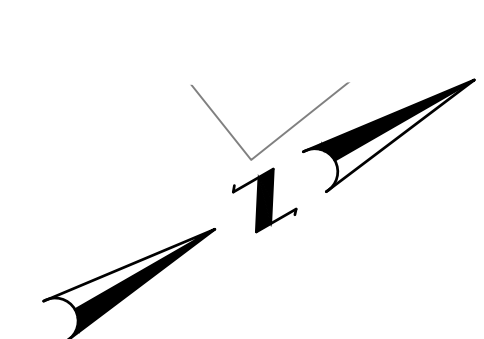


FED. ROAD DIV. NO.	STATE	FEDERAL AID PROJECT NO.	FISCAL YEAR	SHEET NO.	TOTAL SHEETS
	RI	BRO-0327(005)	2021	20	52



Louis Berger
 166 VALLEY STREET, BUILDING 5
 PROVIDENCE, RI 02909
 TEL 401 521 5980
 WWW.LOUIISBERGER.COM

REVISIONS		
NO.	DATE	BY

RHODE ISLAND DEPARTMENT OF TRANSPORTATION	
SUPERSTRUCTURE REPLACEMENT RESERVOIR AVE. RR BRIDGE NO. 327	
PROVIDENCE, RHODE ISLAND	
SIGNING AND STRIPING PLAN	
CHECKED BY	WJM DATE 11/23/2020 SCALE AS NOTED