

06 - MDC INDEX OF DRAWINGS

DRAWING NUMBER	DRAWING TITLE	DRAWING NUMBER	DRAWING TITLE
MDC-01	INDEX OF DRAWINGS		
MDC-02	UTILITY RELOCATION		
MDC-03	DETAILS		

REV.	DATE	REVISION DESCRIPTION	SHEET NO.

THE INFORMATION, INCLUDING ESTIMATED QUANTITIES OF WORK, SHOWN ON THESE SHEETS IS BASED ON LIMITED INVESTIGATIONS BY THE STATE AND IS IN NO WAY WARRANTED TO INDICATE THE CONDITIONS OF ACTUAL QUANTITIES OF WORK WHICH WILL BE REQUIRED.

DESIGNER/DRAFTER:
CHECKED BY:

SCALE AS NOTED

STATE OF CONNECTICUT
DEPARTMENT OF TRANSPORTATION

Filename: ...Subsets CAD\MDC\Index.dgn

SIGNATURE/BLOCK:
OFFICE OF ENGINEERING
APPROVED BY:

PROJECT TITLE:
**REPLACEMENT OF BRIDGE
NO. 05576 ON RT. 185 OVER
TUMBLEDOWN BROOK CHANNEL**

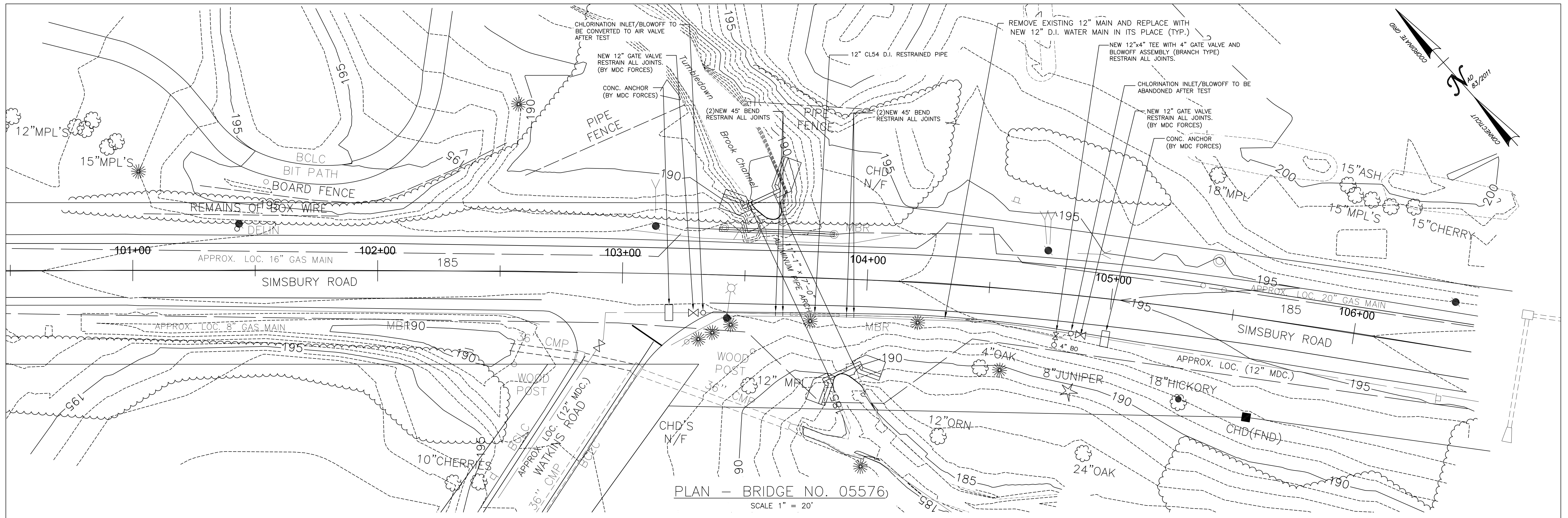
TOWN:
BLOOMFIELD

DRAWING TITLE:
INDEX OF DRAWINGS

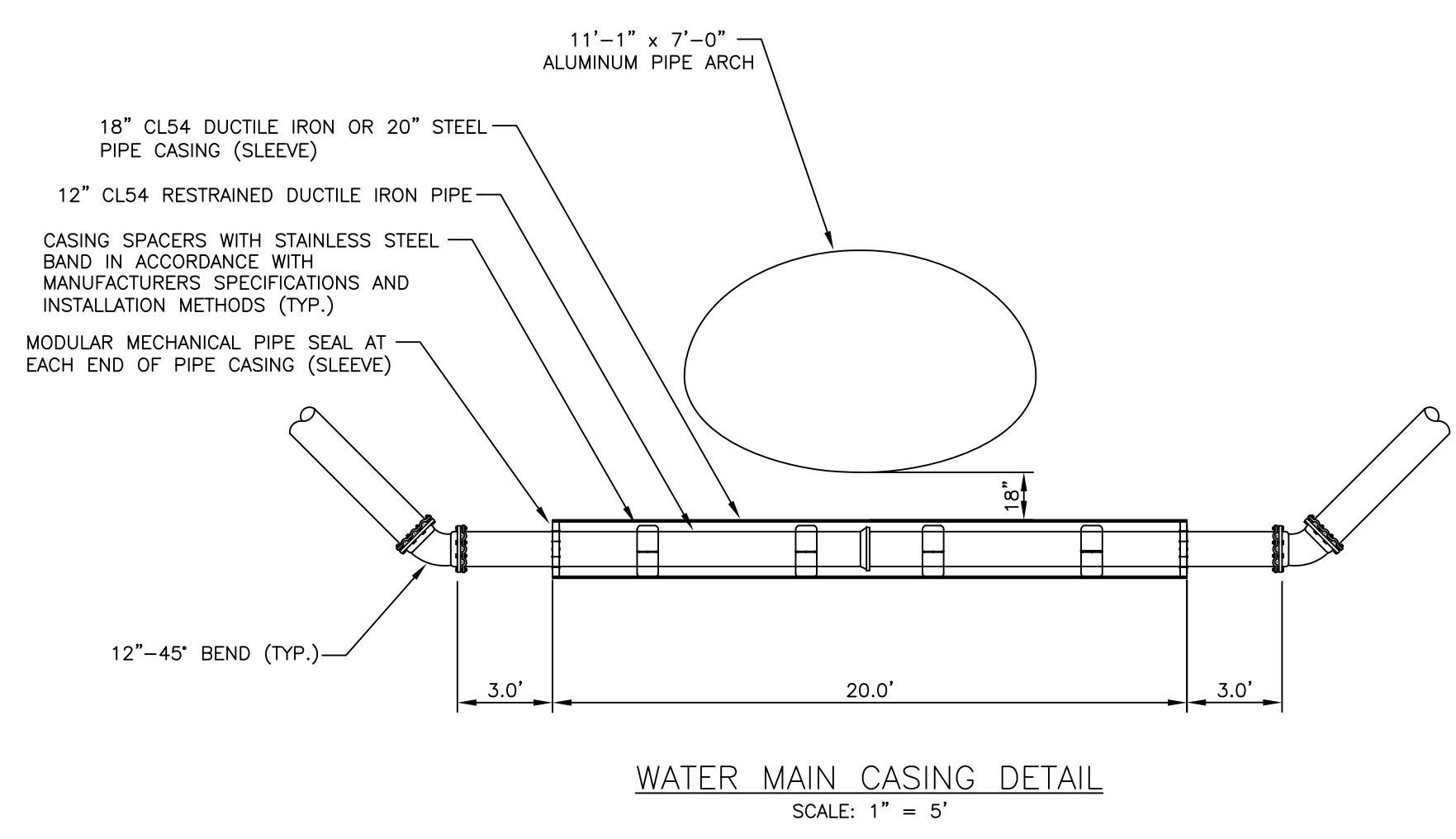
PROJECT NO.
0011-0158

DRAWING NO.
MDC-01

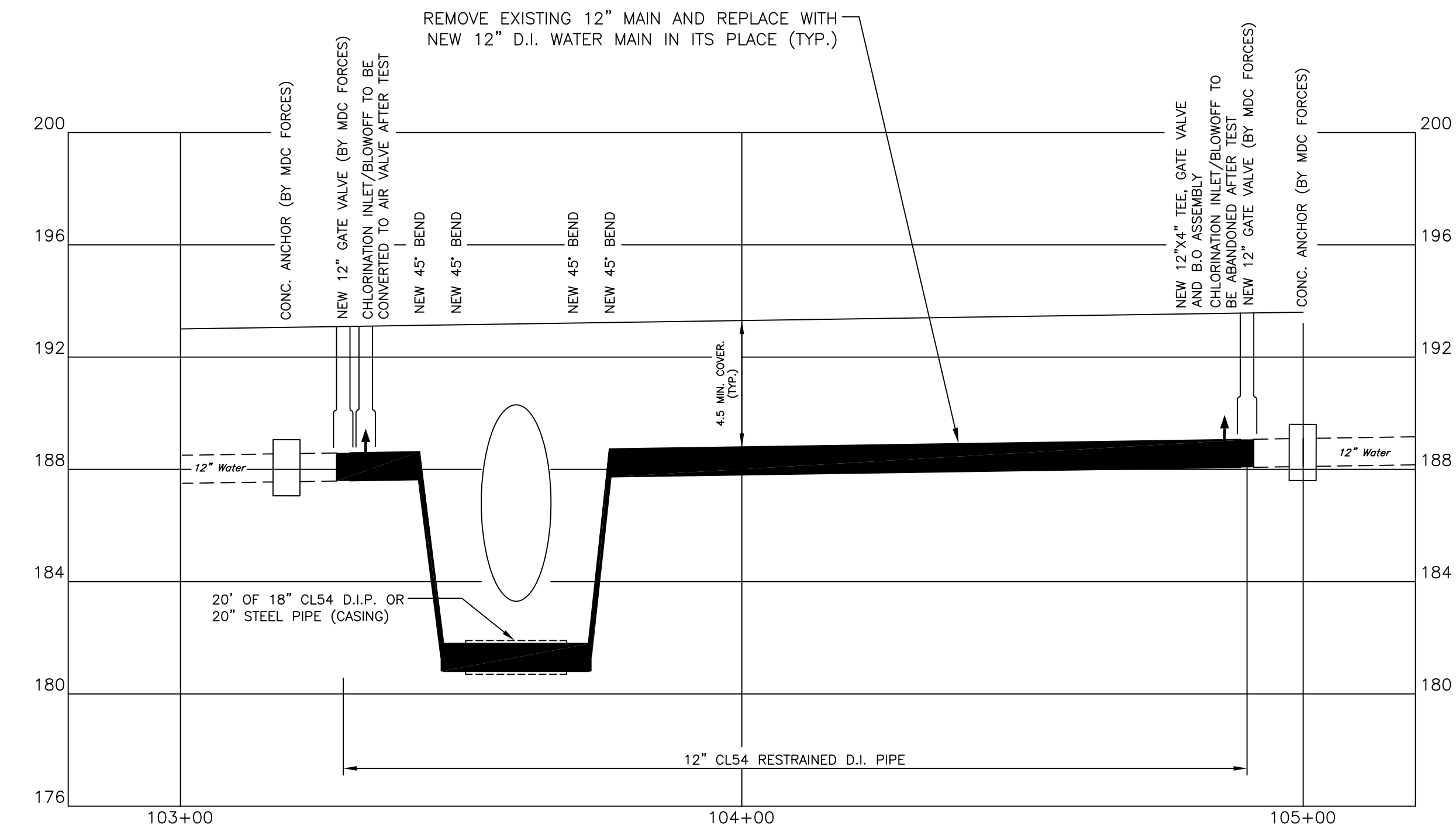
SHEET NO.
06.01



PLAN - BRIDGE NO. 05576
SCALE 1" = 20'



WATER MAIN CASING DETAIL
SCALE: 1" = 5'



PROFILE ELEVATIONS REFER TO NAD 83 / NAVD 88 (FEET)
SCALE: 1" = 20' HOR. 1" = 4' VER.

- NOTES:
1. A PRECONSTRUCTION MEETING SHALL BE REQUIRED WITH THE METROPOLITAN DISTRICT (MDC) PRIOR TO ANY WORK BEING PERFORMED ON MDC FACILITIES. SUCH MEETING SHALL BE SCHEDULED A MINIMUM OF 3 WEEKS PRIOR TO ANTICIPATED START DATE OF INSTALLATION OF MDC FACILITIES.
 2. ALL WORK NOT NOTED "BY MDC FORCES" IS TO BE PERFORMED BY STATE'S CONTRACTOR.
 3. DEPTH OF EXISTING 12" WATER MAIN IS APPROXIMATE. CONTRACTOR TO VERIFY DEPTH PRIOR TO INSTALLATION OF NEW WATER MAIN.
 4. CONTRACTOR SHALL COORDINATE THE CLOSING OF THE 2-12" GATE VALVES WITH MDC IN ORDER TO ISOLATE THE EXISTING WATER MAIN DURING CONSTRUCTION AND TO REMOVE PORTIONS OF THE EXISTING WATER MAIN. ONLY MDC FORCES SHALL OPERATE THE WATER GATE VALVES. PROVIDE MDC MINIMUM 3 WORKING DAYS NOTICE FOR VALVE CLOSURES.
 5. CARE SHALL BE TAKEN DURING REMOVAL OF ANY PORTIONS OF THE EXISTING WATER MAIN SO AS NOT TO DAMAGE PORTIONS OF EXISTING WATER MAIN TO REMAIN.
 6. ALL DUCTILE IRON PIPE PUSH ON BELL JOINTS TO BE RESTRAINED USING LOCKING TYPE GASKETS PER SPECIFICATIONS.

FOR WORK ON MDC FACILITIES ONLY

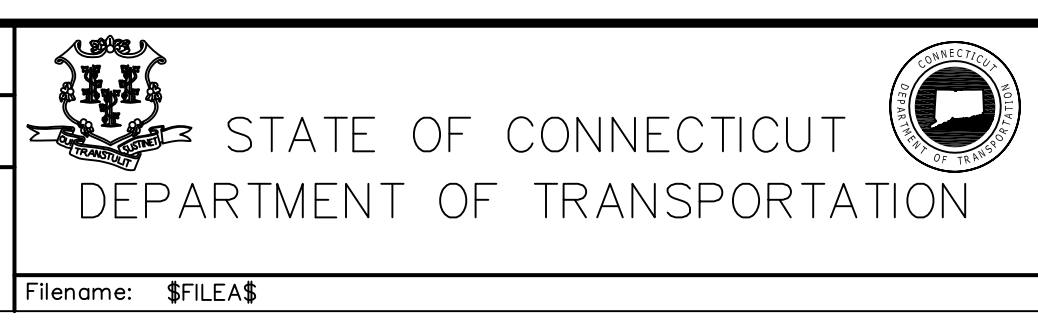


REV.	DATE	REVISION DESCRIPTION	SHEET NO.

THE INFORMATION, INCLUDING ESTIMATED QUANTITIES OF WORK, SHOWN ON THESE SHEETS IS BASED ON LIMITED INVESTIGATIONS BY THE STATE AND IS IN NO WAY WARRANTED TO INDICATE THE CONDITIONS OF ACTUAL QUANTITIES OF WORK WHICH WILL BE REQUIRED.

Plotted Date: \$DATE\$

DESIGNER/DRAFTER: _____
CHECKED BY: _____
SCALE AS NOTED



SIGNATURE/ BLOCK: _____

PROJECT TITLE:
REPLACEMENT OF BRIDGE
NO. 05576 ON RT. 185 OVER
TUMBLEDOWN BROOK CHANNEL

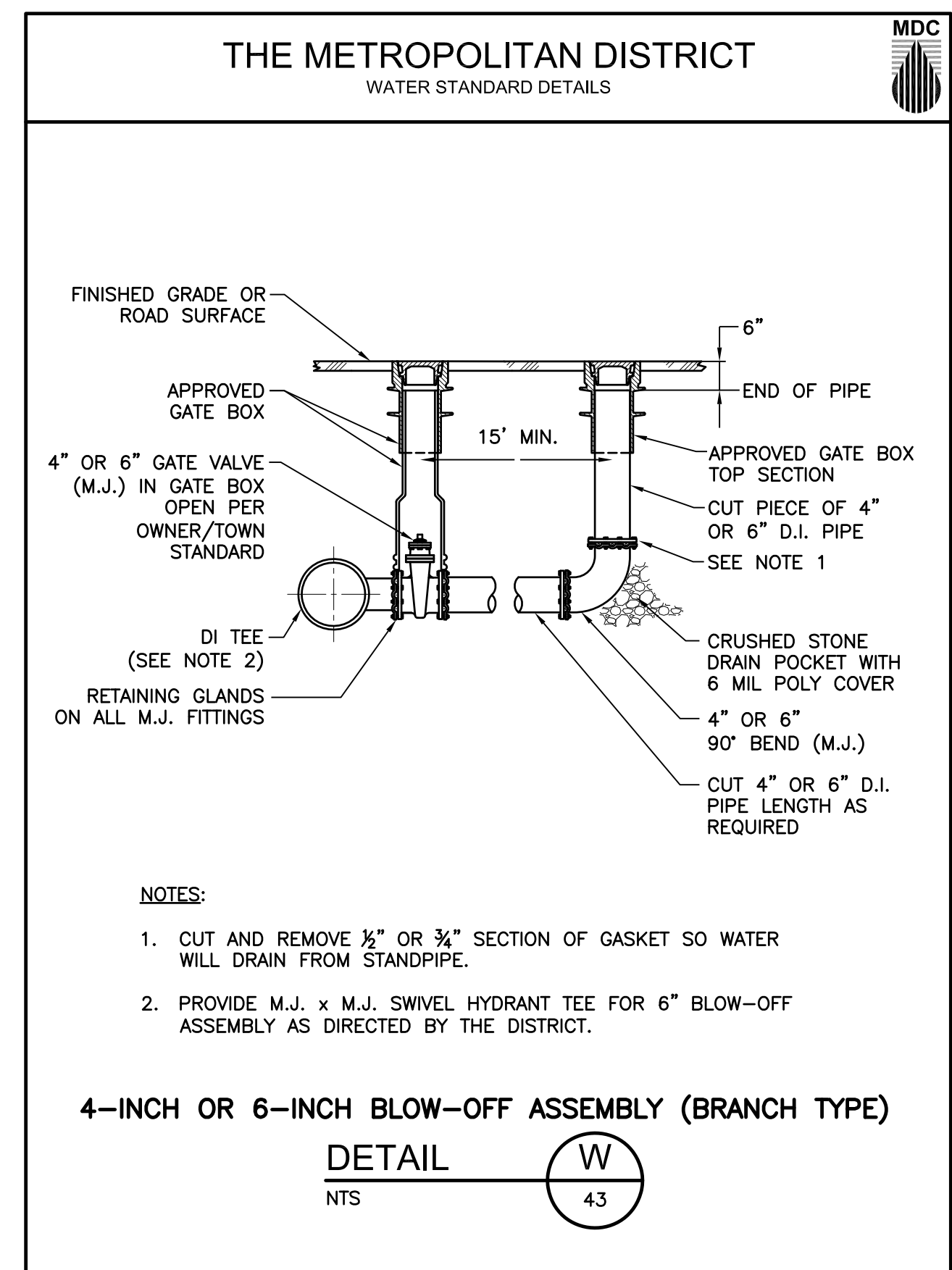
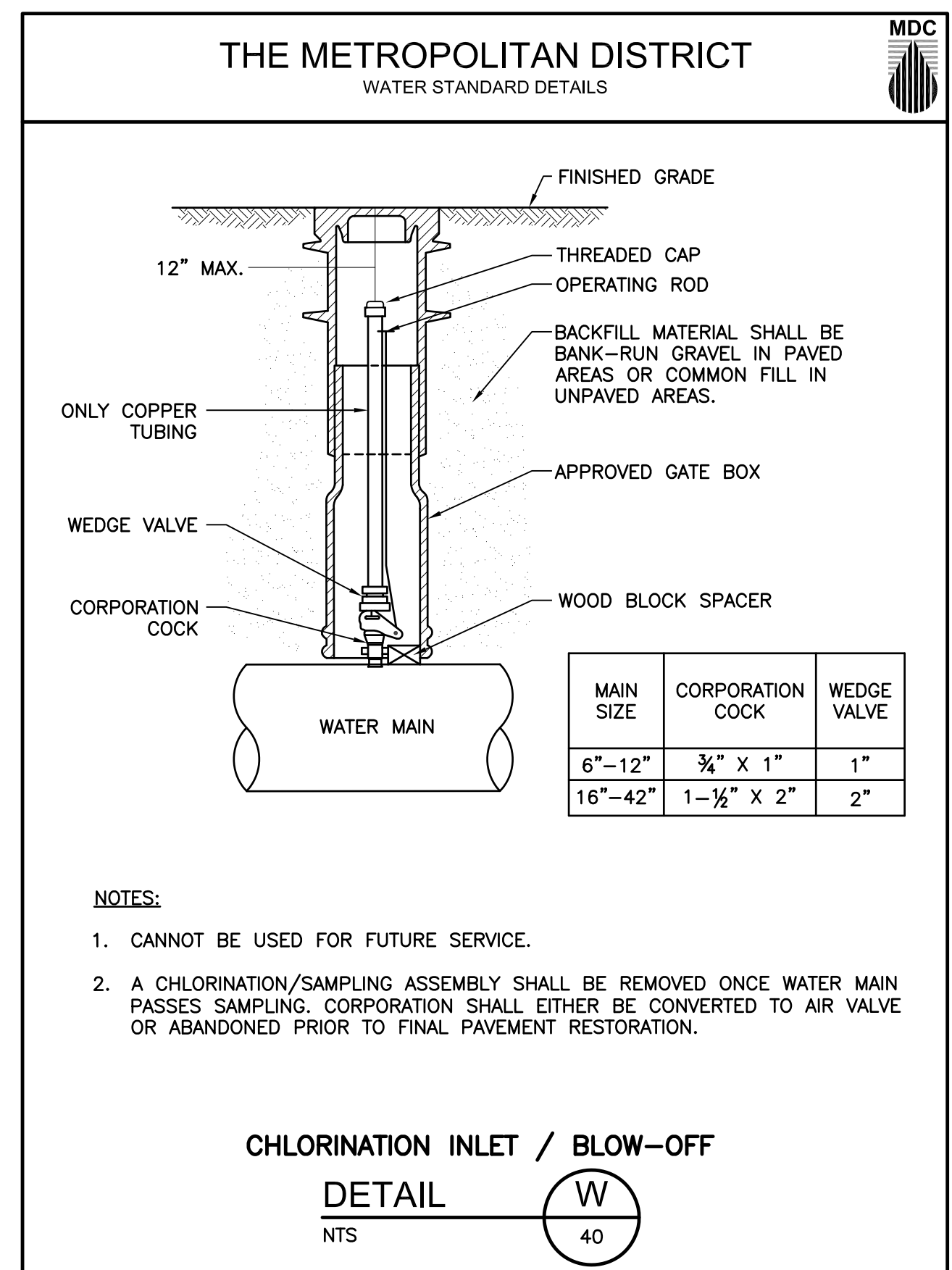
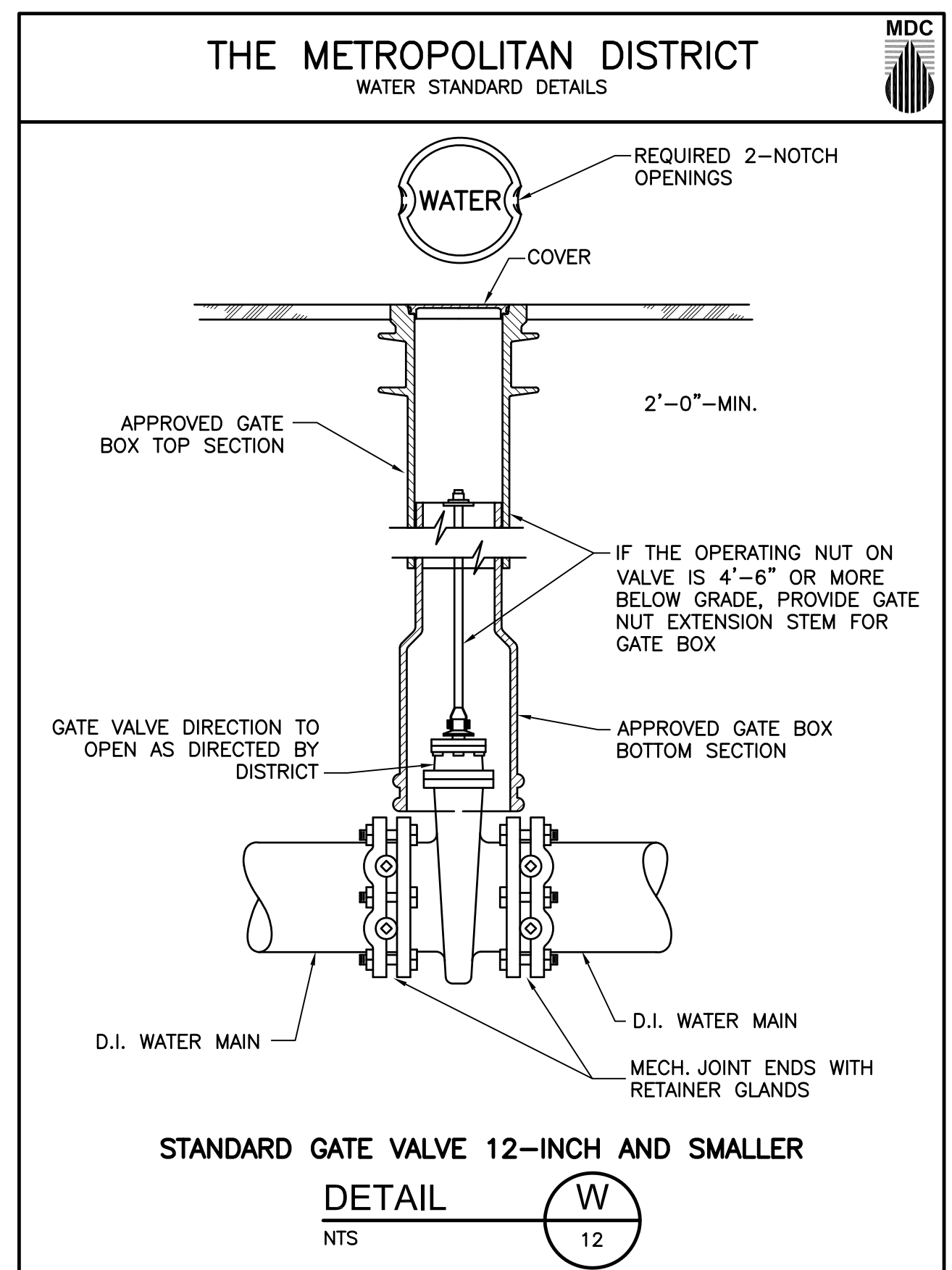
TOWN:
BLOOMFIELD

DRAWING TITLE:
UTILITY RELOCATION

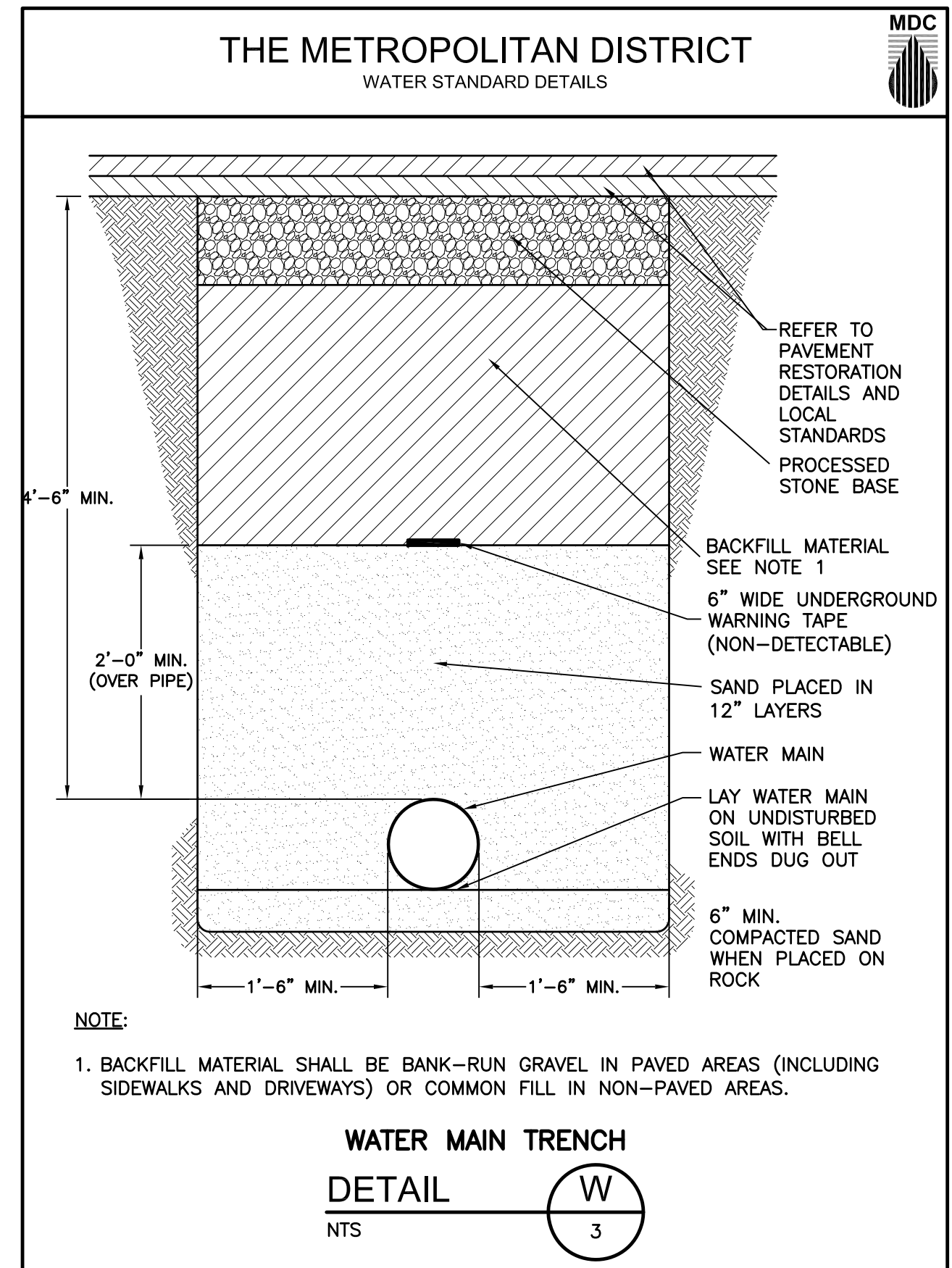
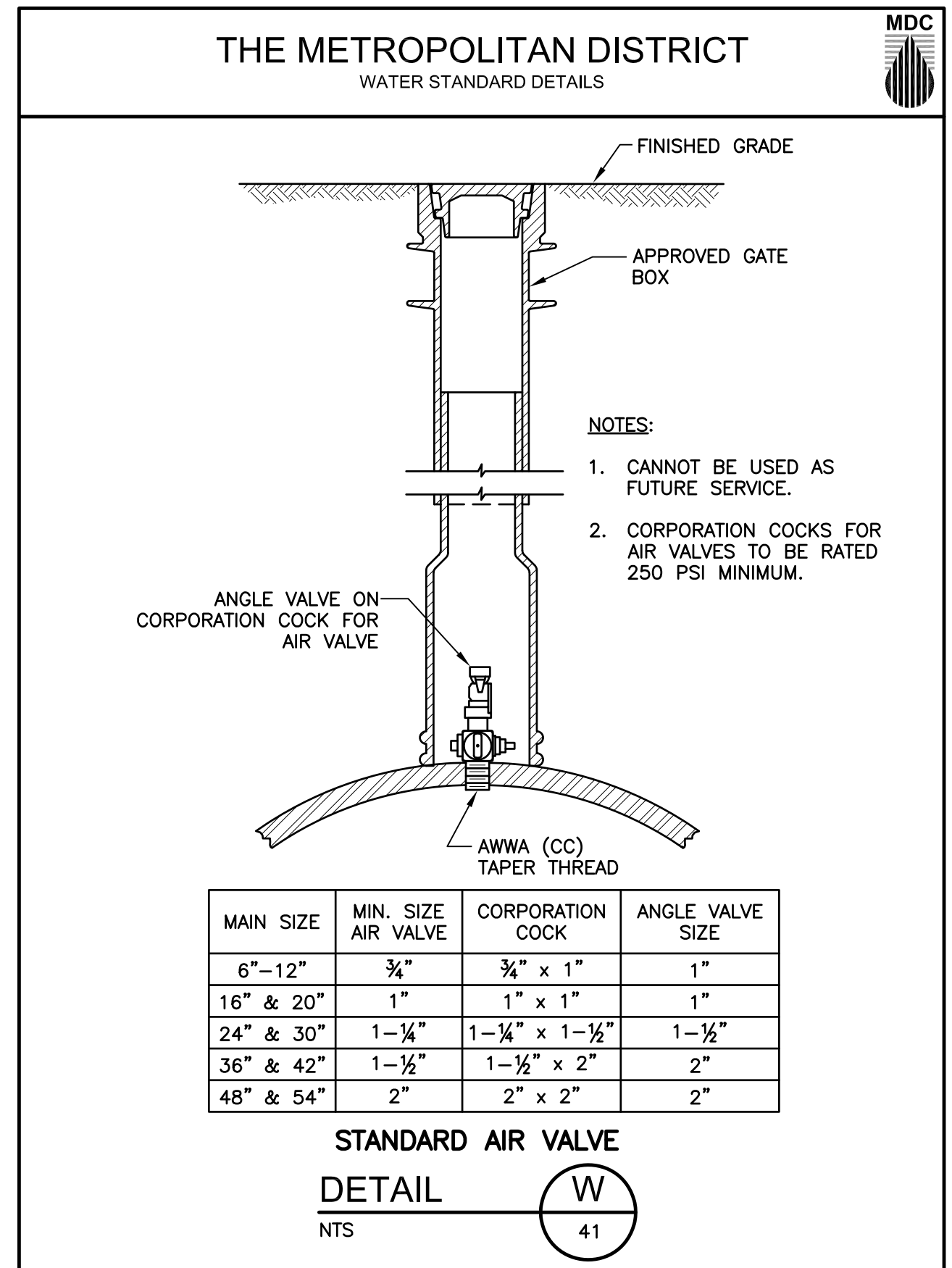
PROJECT NO.
0011-0158

DRAWING NO.
MDC-02

SHEET NO.
06.02



- STANDARD WATER MAIN NOTES
- ALL CONSTRUCTION SHALL BE IN ACCORDANCE WITH METROPOLITAN DISTRICT STANDARDS AND SPECIFICATIONS.
 - ALL PIPE SHALL BE CLASS 54 ANSI/AWWA C151/A21.51-81 DOUBLE CEMENT LINED DUCTILE IRON PIPE CENTRIFUGALLY CAST IN METAL MOLDS OR SAND LINED MOLDS FOR WATER OR OTHER LIQUIDS.
 - ALL DUCTILE IRON PIPE WATER MAIN AND FITTINGS JOINTS SHALL BE RESTRAINED.
 - THE WATER MAIN SHALL BE BUILT BY A LICENSED PLUMBER UNDER THE SUPERVISION OF THE MDC DIRECTOR OF ENGINEERING AND PLANNING OR THEIR DESIGNEE.
 - "CALL BEFORE YOU DIG" - THE CONTRACTOR IS HEREBY REMINDED THAT TITLE 16, CHAPTER 283 OF THE CONNECTICUT GENERAL STATUTES REQUIRES NOTIFICATION OF THE UTILITY COMPANIES OF PENDING EXCAVATION AT OR NEAR PUBLIC UTILITIES. THE CONTRACTOR SHALL CALL 1-800-922-4455 AT LEAST 48 HOURS PRIOR TO BEGINNING THE EXCAVATION.
 - ALL FEDERAL AND STATE OSHA SAFETY STANDARDS MUST BE FOLLOWED DURING WATER MAIN INSTALLATIONS AND TESTING, INCLUDING 29 CFR 1926.650 - 1926.652, THAT ADDRESS EXCAVATION WORK AND REQUIREMENTS FOR PROTECTIVE SYSTEMS.
 - TEST PITS SHALL BE DUG WELL IN ADVANCE OF THE WATER MAIN INSTALLATION TO DETERMINE ELEVATION OF CONNECTIONS, POSSIBLE OFFSETS ABOVE OR BELOW OTHER UTILITIES, STRUCTURES OR OBSTACLES.
 - THE CONTRACTOR SHALL FURNISH TO THE ENGINEER A MATERIALS LIST, WITH SUBMITTALS FOR APPROVAL, PRIOR TO THE INSTALLATION OF THE PROPOSED WATER MAIN.
 - TEST PRESSURE SHALL BE 150 PSI, AS DETERMINED BY THE METROPOLITAN DISTRICT.
 - ALL WATER MAIN AND APPURTENANCES SHALL BE STAKED (SURVEYED) OUT BY A PROFESSIONAL SURVEYOR LICENSED IN THE STATE OF CONNECTICUT. THE SURVEY SHALL INCLUDE AN OFFSET LINE OR STREET LINE EVERY FIFTY FEET (50'0"), FINAL ROAD OR SURFACE ELEVATION.
 - GATE OPERATIONS FOR THIS PROJECT SHALL BE "OPEN LEFT".
 - ALL FITTINGS, UNLESS OTHERWISE SPECIFIED, SHALL BE MECHANICAL JOINT AND SHALL BE INSTALLED WITH RESTRAINT IN EACH DIRECTION.
 - WHERE "PULLING" OR DEFLECTING THE PIPE IS INDICATED, SUCH DEFLECTION SHALL BE DONE IN ACCORDANCE WITH THE RECOMMENDATIONS OF THE "DIPRA HANDBOOK". IN NO CASE SHALL THE DEFLECTION BE GREATER THAN 5 DEGREES.
 - AFTER PLACING APPROXIMATELY TWO FEET (2'0") OF BACKFILL MATERIAL OVER THE WATER MAIN, THE CONTRACTOR SHALL PLACE A SIX-INCH WIDE STRIP OF DURABLE, NON-DETECTABLE, COLOR CODED (BLUE FOR WATER) UNDERGROUND UTILITY DETECTION TAPE IMPRINTED WITH THE APPROPRIATE WARNING INDICATING THE PRESENCE OF A BURIED UTILITY CONDUIT.
 - CONTRACTOR SHALL ASSIST THE DISTRICT STAFF WITH THE FILLING, FLUSHING AND TESTING OF THE WATER MAIN. THE CONTRACTOR SHALL ABIDE BY THE DISTRICT'S STANDARDS FOR DISINFECTING WATER MAINS, INCLUDING PROPERLY NEUTRALIZING THE CHLORINATED WATER AND DISCHARGING THE WATER ACCORDINGLY.
 - SHOULD THE WATER MAIN FAIL TO PASS THE REQUIRED PHYSICAL, CHEMICAL AND BIOLOGICAL PARAMETERS, THE CONTRACTOR SHALL BE RESPONSIBLE FOR REINJECTING THE WATER MAIN WITH THE PROPER QUANTITY OF LIQUID HYPOCHLORITE SOLUTION, AT NO EXPENSE TO THE DISTRICT.



FOR WORK ON MDC FACILITIES ONLY

The Metropolitan District
Hartford, Connecticut
ENGINEERING AND PLANNING

DESIGNER/DRAFTER: —	STATE OF CONNECTICUT DEPARTMENT OF TRANSPORTATION	SIGNATURE/ BLOCK:	PROJECT TITLE: REPLACEMENT OF BRIDGE NO. 05576 ON RT. 185 OVER TUMBLEDOWN BROOK CHANNEL	TOWN: BLOOMFIELD	PROJECT NO. 0011-0158
CHECKED BY: —		SCALE AS NOTED	DRAWING TITLE: DETAILS	DRAWING NO. MDC-03	SHEET NO. 06.03
REV. DATE REVISION DESCRIPTION SHEET NO.	Plotted Date: \$DATE\$	Filename: \$FILEA\$			