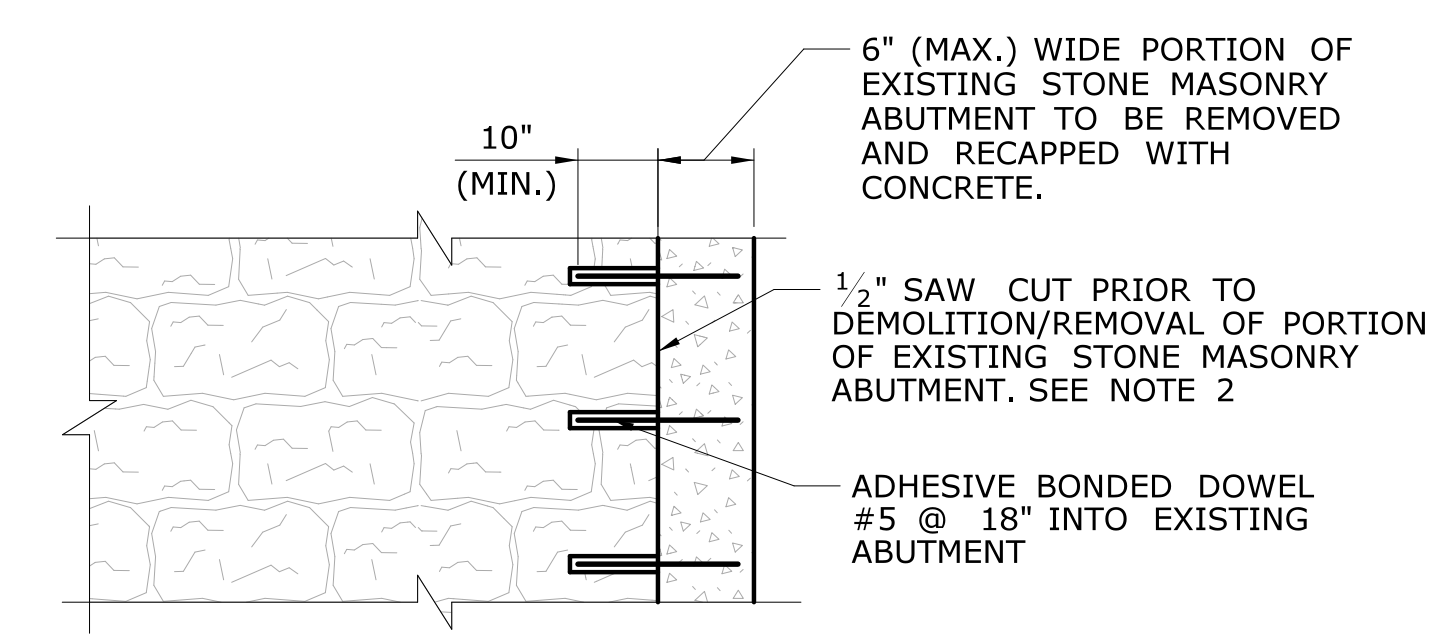


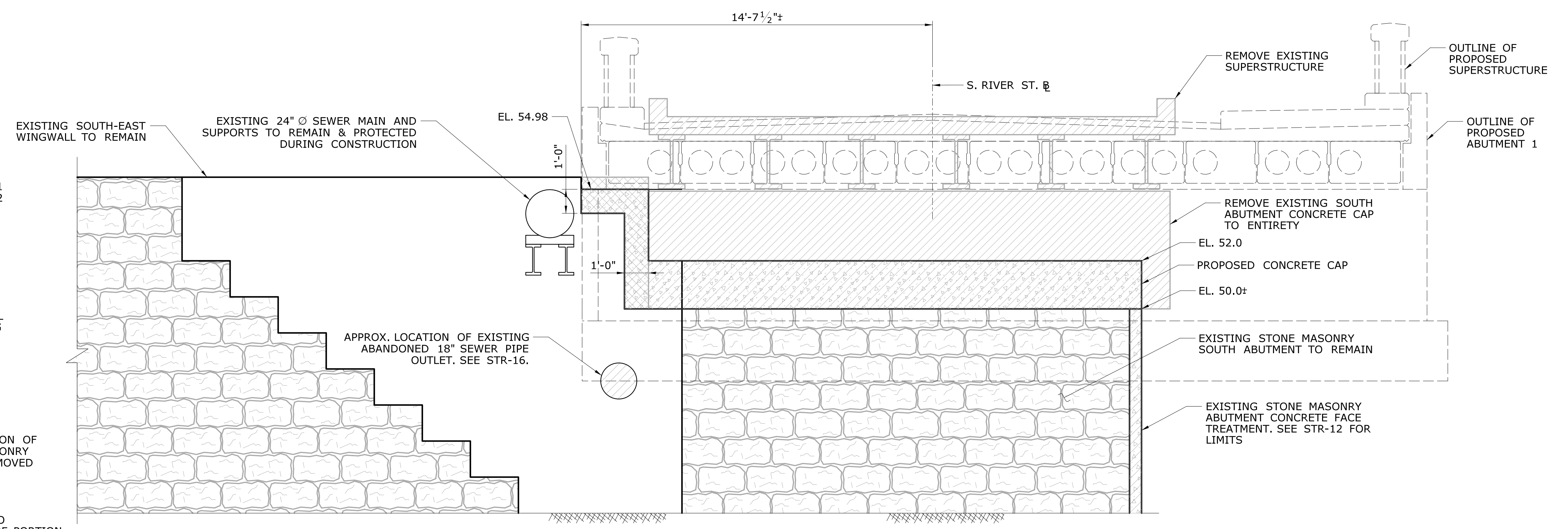
CONCRETE CAP DETAILS
NOT TO SCALE



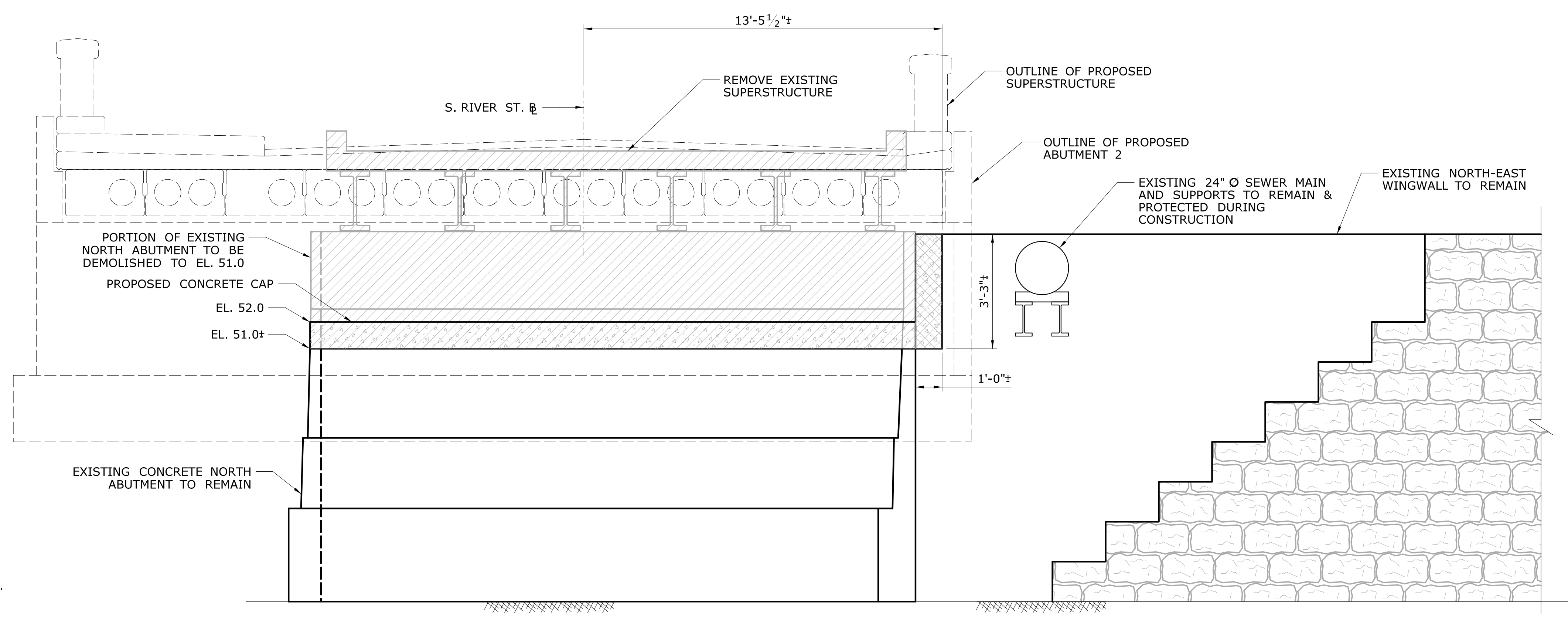
EXISTING STONE MASONRY ABUTMENT CONCRETE FACE TREATMENT
NOT TO SCALE

- REMOVAL/DEMOLISH LIMITS OF EXISTING DECK AND ABUTMENT
- REMOVAL/DEMOLISH LIMITS OF EXISTING WINGWALL
- RECONSTRUCTION/CONSTRUCTION OF PROPOSED CONCRETE CAP AND EXISTING WINGWALL

- NOTES:**
- EXTENT OF EXISTING ABUTMENT AND WINGWALL DEMOLITION SHALL BE VERIFIED IN THE FIELD.
 - THE COST OF 1/2" SAW CUT SHALL BE INCLUDED IN THE COST OF THE ITEM "REMOVAL OF EXISTING MASONRY."
 - THE EXISTING STONE MASONRY ABUTMENTS AND SANITARY SEWER SHALL BE MONITORED DURING THE CONSTRUCTION. THE COST SHALL BE INCLUDED IN THE ITEM "MONITORING STRUCTURES."



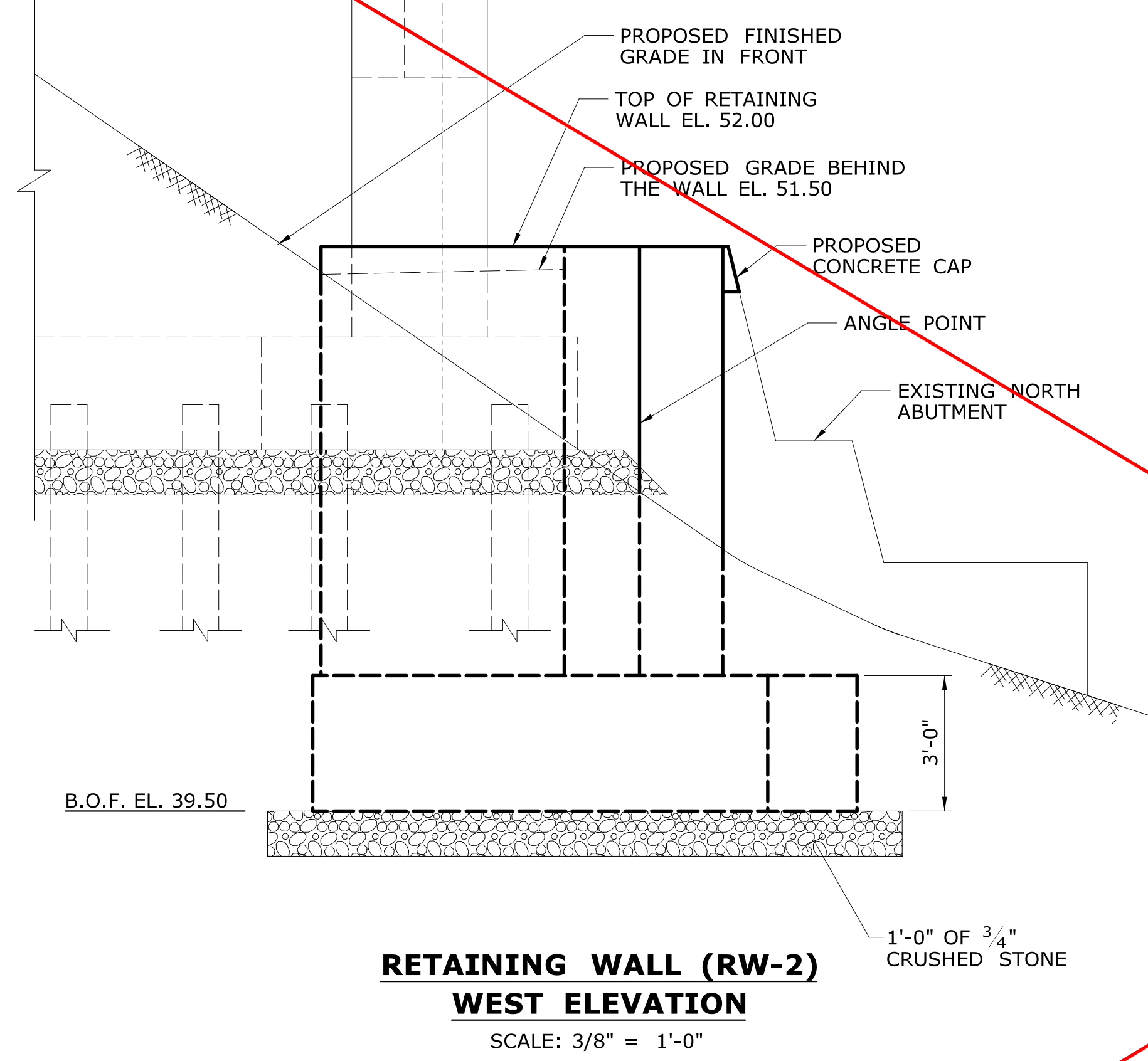
EXISTING SOUTH ABUTMENT
NOT TO SCALE



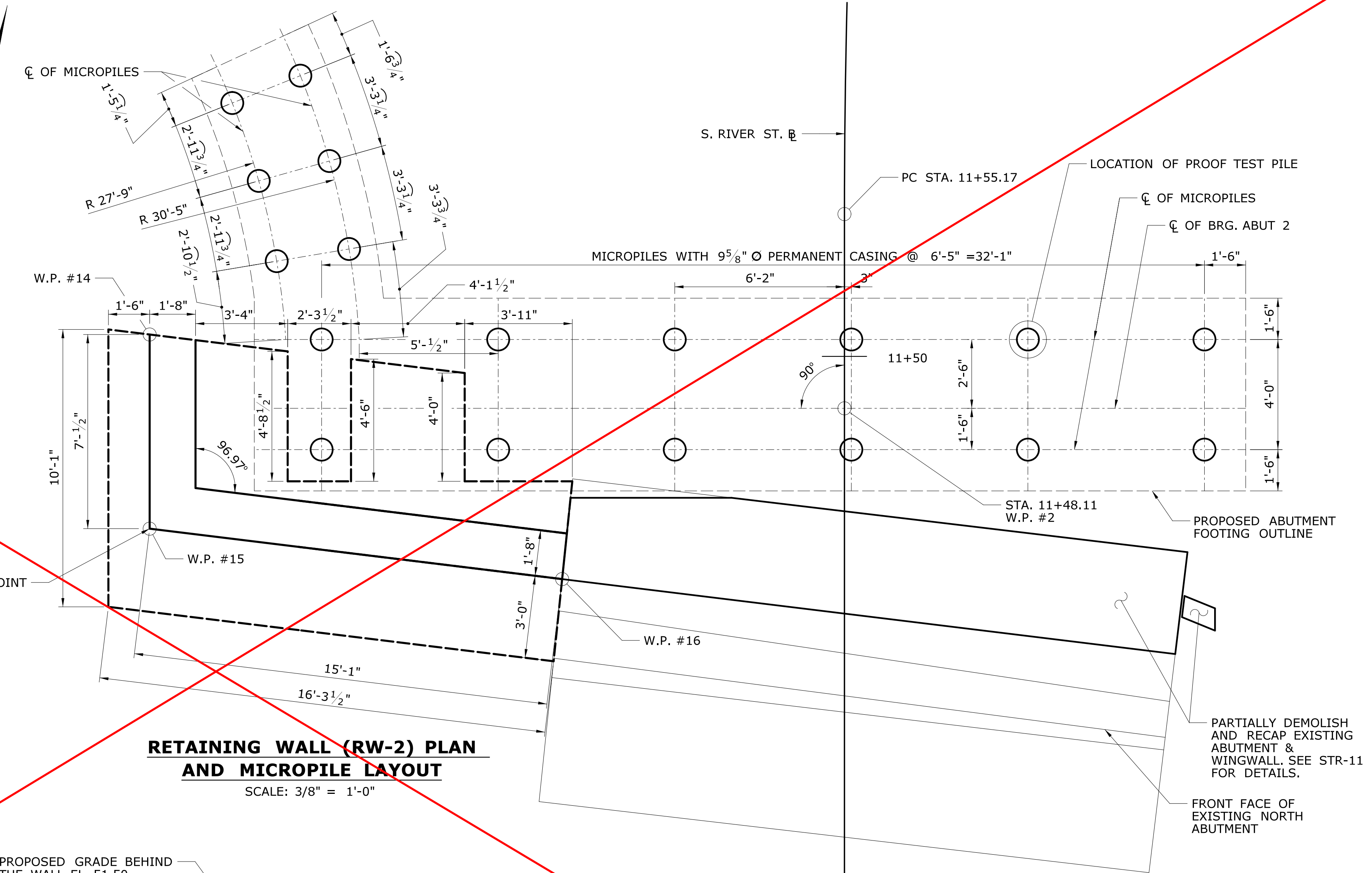
EXISTING NORTH ABUTMENT
NOT TO SCALE

NEW SHEET ADDED BY ADDENDUM NO. 1

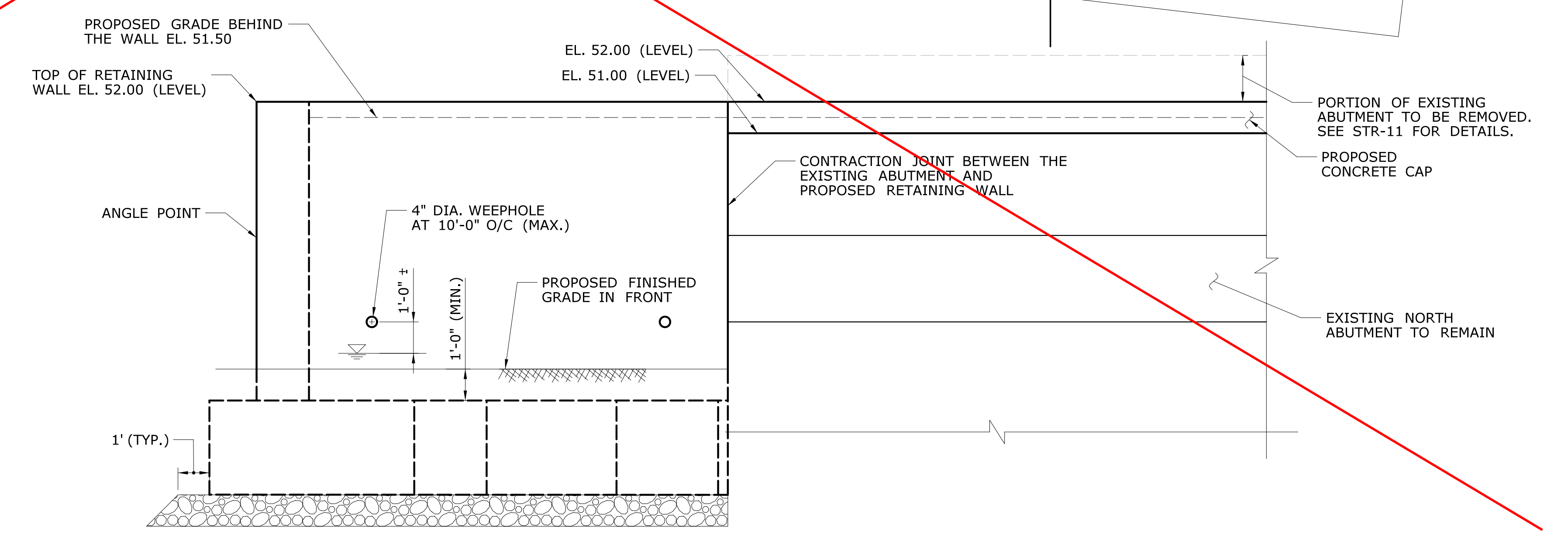
DESIGNER/DRAFTER: PS		<p>TOWN OF ENFIELD</p>	<p>GM2 ASSOCIATES, INC. 115 GLASTONBURY BLVD. GLASTONBURY, CT 06033</p>	PROJECT TITLE: REPLACEMENT OF S. RIVER ST. BRIDGE NO. 04506 OVER FRESHWATER BROOK	TOWN: ENFIELD	PROJECT NO. 048-198
CHECKED BY: JG						
SCALE AS NOTED		FILENAME: ...SB_MSH_Br04506_DEMO_PLAN.dgn		SHEET NO. 27-1 of 51		
REV.	DATE	REVISION DESCRIPTION	SHEET NO.	THE INFORMATION, INCLUDING ESTIMATED QUANTITIES OF WORK, SHOWN ON THESE SHEETS IS BASED ON LIMITED INVESTIGATIONS BY THE STATE AND IS IN NO WAY WARRANTED TO INDICATE THE CONDITIONS OF ACTUAL QUANTITIES OF WORK WHICH WILL BE REQUIRED.		



**RETAINING WALL (RW-2)
WEST ELEVATION**
SCALE: 3/8" = 1'-0"



**RETAINING WALL (RW-2) PLAN
AND MICROPILE LAYOUT**
SCALE: 3/8" = 1'-0"



**RETAINING WALL (RW-2)
NORTH ELEVATION**
SCALE: 3/8" = 1'-0"

THIS SHEET REMOVED BY ADDENDUM NO. 01

NOTE:
1. FOR TYPICAL RETAINING WALL SECTIONS, SEE DWG. STR-14.
2. FOR SACRIFICIAL VERIFICATION TEST PILE LOCATION, SEE DWG. STR-17.

THE INFORMATION, INCLUDING ESTIMATED QUANTITIES OF WORK, SHOWN ON THESE SHEETS IS BASED ON LIMITED INVESTIGATIONS BY THE STATE AND IS IN NO WAY WARRANTED TO INDICATE THE CONDITIONS OF ACTUAL QUANTITIES OF WORK WHICH WILL BE REQUIRED.		DESIGNER/DRAFTER: PS CHECKED BY: JG SCALE AS NOTED	<p>TOWN OF ENFIELD</p>	SIGNATURE/BLOCK: 	GM2 ASSOCIATES, INC. 115 GLASTONBURY BLVD. GLASTONBURY, CT 06033	PROJECT TITLE: REPLACEMENT OF S. RIVER ST. BRIDGE NO. 04506 OVER FRESHWATER BROOK	TOWN: ENFIELD	PROJECT NO. 048-198 DRAWING NO. STR-13 SHEET NO. 30 of 51
REV.	DATE	REVISION DESCRIPTION	SHEET NO.	Plotted Date: 11/3/2021	Filename: ...\\SB_MSH_Br04506_RW2.dgn			