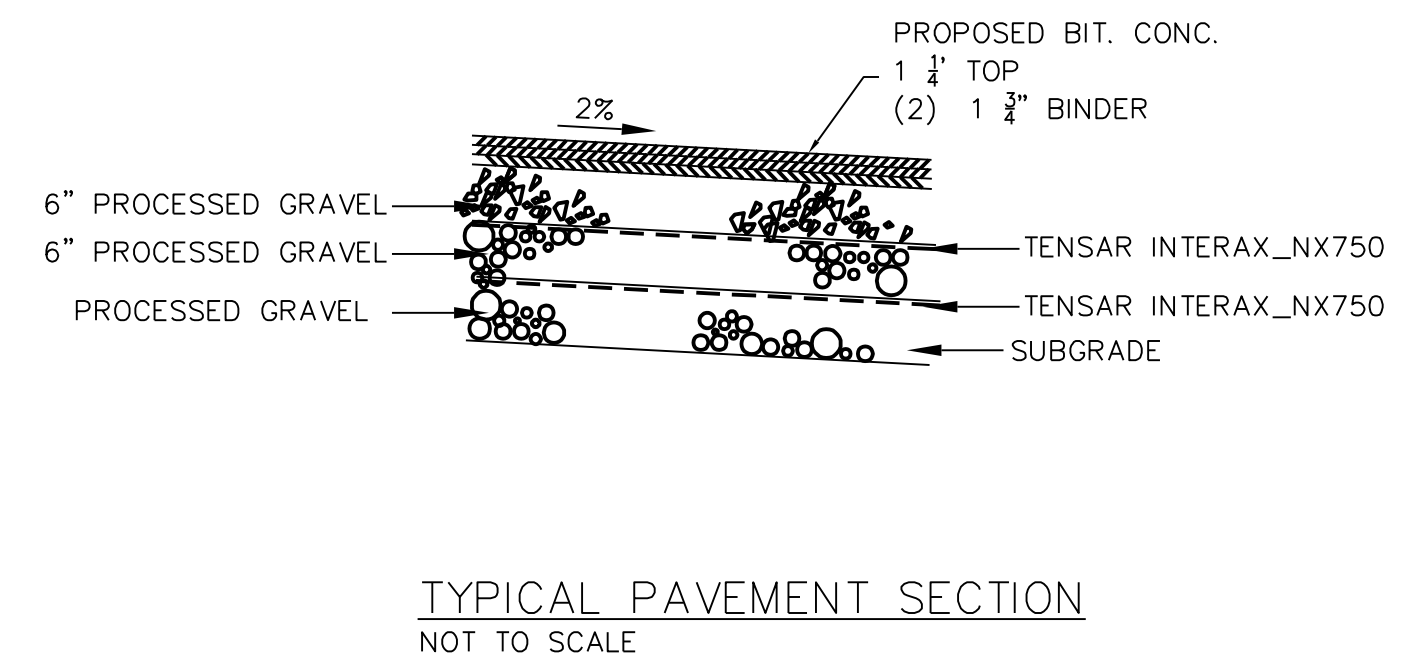
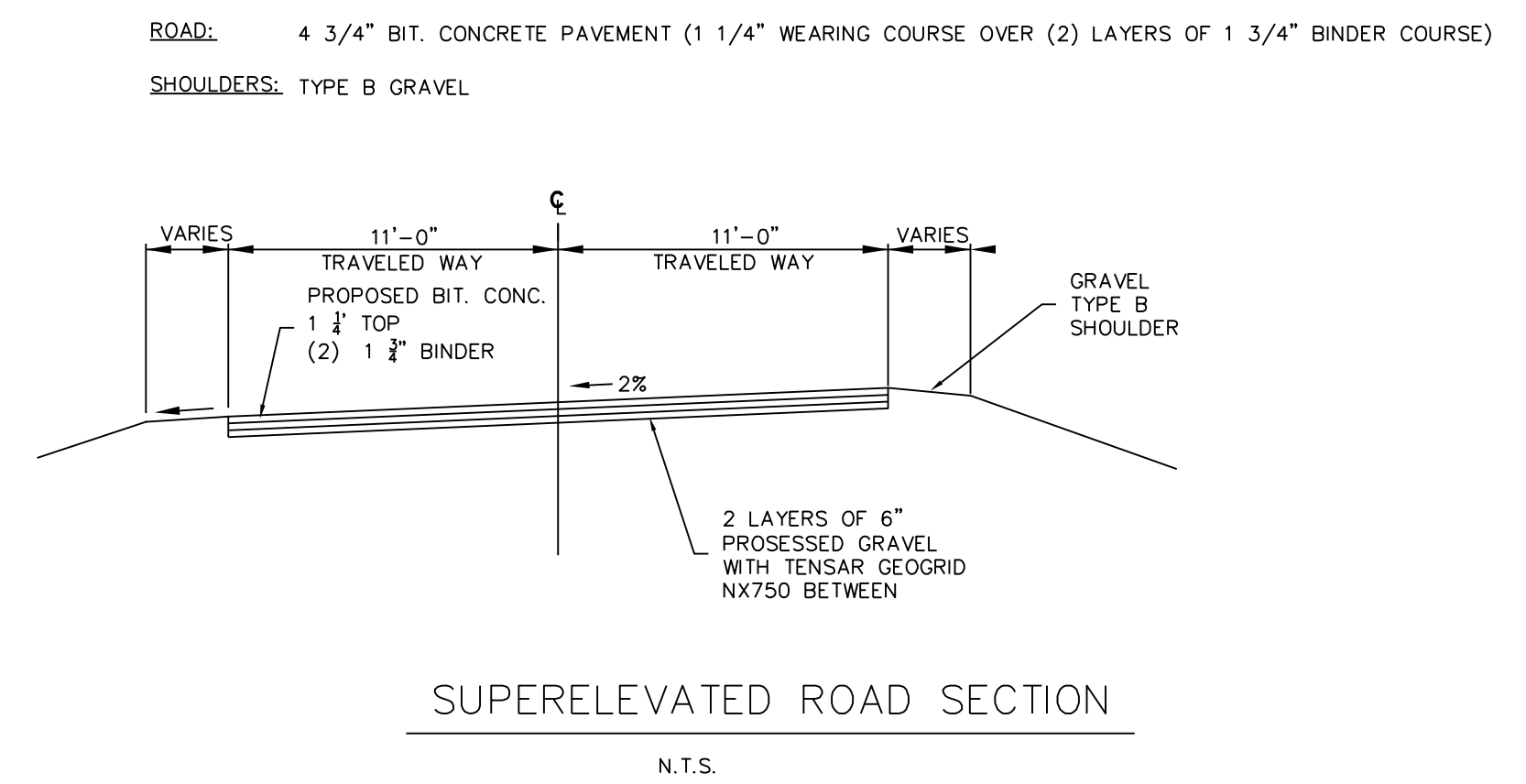


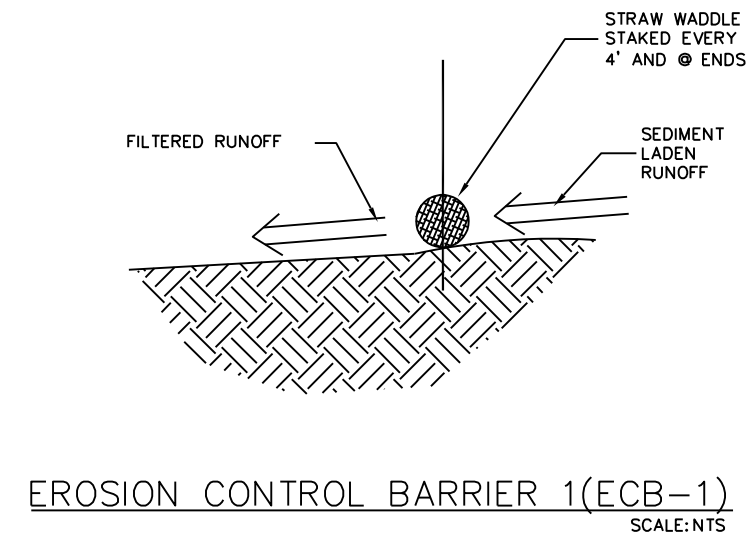
LONG SPAN GUARDRAIL SYSTEM for Aluminum Box Culverts

00-020

NOTE:
REF: MWRSF, "DEVELOPMENT OF A 7.62-m
LONG SPAN GUARDRAIL SYSTEM - PHASE II",
1999



NOTE:
MATERIALS TO COMPLY WITH MASSACHUSETTS HIGHWAY DEPARTMENT
STANDARD SPECIFICATIONS FOR HIGHWAYS AND BRIDGES.



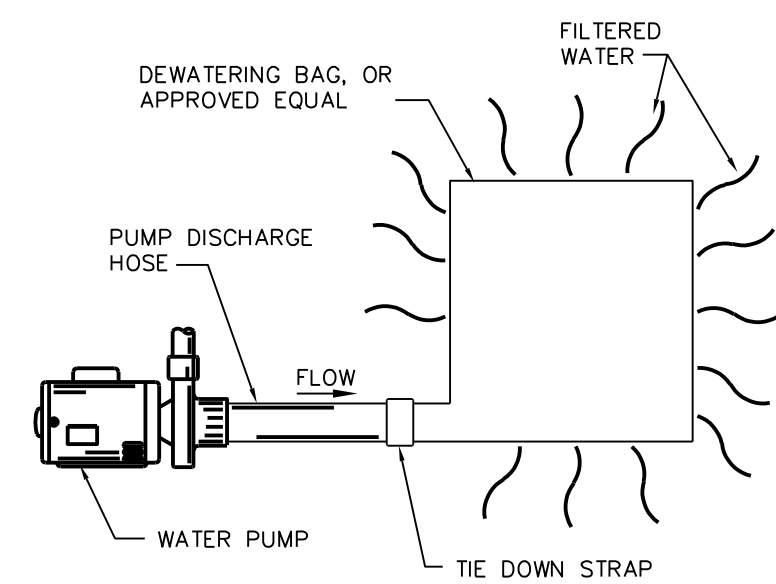
EROSION CONTROL NOTES:

THE FOLLOWING MAINTENANCE ITEMS SHOULD BE PERFORMED SPECIFICALLY FOR THE VARIOUS EROSION CONTROL DEVICES:

- (1) DIVERSION DIKE:
 - (A) MINIMUM INSPECTION FREQUENCY - WEEKLY.
 - (B) REMOVE ANY FLOW BLOCKAGE CAUSED BY ICE OR SEDIMENT.
- (2) MULCH:
 - (A) MINIMUM INSPECTION FREQUENCY - DAILY.
 - (B) REPLACE MULCH ON ANY AREA WHERE ORIGINAL MULCH COVER HAS BEEN LOST.
- (3) HAY BALE DIKE:
 - (A) MINIMUM INSPECTION FREQUENCY - WEEKLY.
 - (B) REMOVE LAYERS OF SILT AND SOIL FROM THE UPSTREAM FACE WHENEVER A NOTICEABLE ACCUMULATION HAS OCCURRED. REPLACE HAY BALE DIKE SHOULD IT BECOME COMPLETELY CLOGGED, SHOW OBVIOUS SIGNS OF BREAKDOWN OR BECOME DAMAGED IN ANY OTHER WAY. INSTALL ADDITIONAL HAY BALE DIKES DOWNSTREAM AND UPSTREAM OF EXISTING HAY BALE DIKES WHENEVER IT APPEARS THAT THE EXISTING DIKES ARE NOT PERFORMING ADEQUATELY BY THEMSELVES.

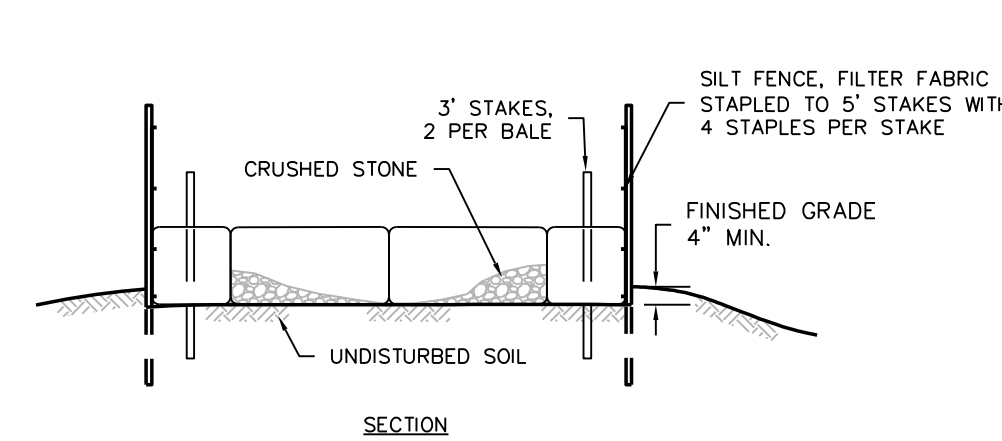
EROSION CONTROL BARRIER

- (A) MINIMUM INSPECTION FREQUENCY - WEEKLY.
- (B) CLEAN AND REMOVE ANY COLLECTED SEDIMENT BEFORE PREDICTED THAWS OR RAINY PERIODS.

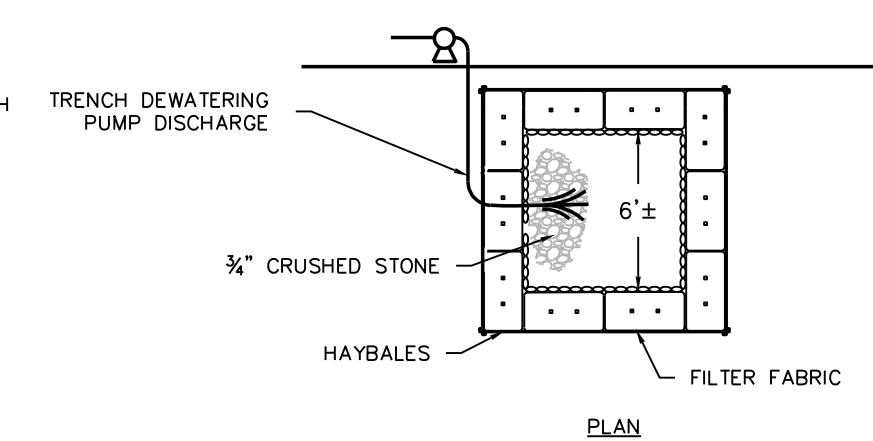


DEWATERING BAG
NOT TO SCALE

- NOTES:
1. INSTALLATION: PLACE LIFTING STRAPS UNDER THE UNIT TO FACILITATE REMOVAL AFTER USE. UNFOLD DEWATERING BAG ON A STABILIZED AREA OVER DENSE VEGETATION, STRAW, OR GRAVEL. INSERT DISCHARGE HOSE FROM PUMP INTO DEWATERING BAG A MINIMUM OF SIX INCHES AND TIGHTLY SECURE WITH THE ATTACHED STRAP TO PREVENT WATER FROM FLOWING OUT OF THE UNIT WITHOUT BEING FILTERED.
 2. MAINTENANCE: REPLACE THE UNIT WHEN 1/2 FULL OF SEDIMENT OR WHEN SEDIMENT HAS REDUCED THE FLOW RATE OF THE PUMP DISCHARGE TO AN IMPRACTICAL RATE.
 3. REMOVED SEDIMENT SHALL BE DEPOSITED IN A SUITABLE AREA AND IN SUCH A MANNER THAT WILL NOT ERODE.



DEWATERING BASIN DETAIL

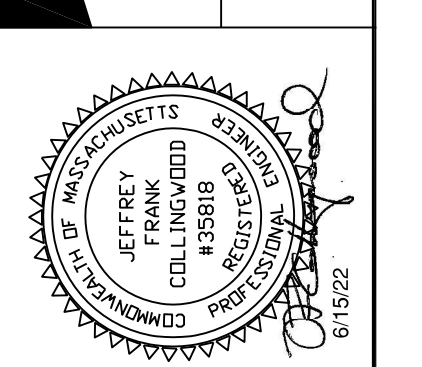


PLAN

REVISIONS	Date	Description	Approved
	1/10/22	WPA APPROVAL	
	6/15/22	ISSUED FOR BIDDING PURPOSES	

Designed JRB 6/13//22
Drawn JRB 6/13/22
Checked JFC
Approved _____ Date _____
Title _____

Civil/Arc\Design
JEFFREY F. COLLINGWOOD, PE
PO Box 343, Ashley Falls, MA 01222
(413) 717-9844 * jcollingwoodpe@gmail.com



DETAILS
PREPARED FOR
TOWN OF LANESBOROUGH
LANESBOROUGH, MASS
SUMMER STREET